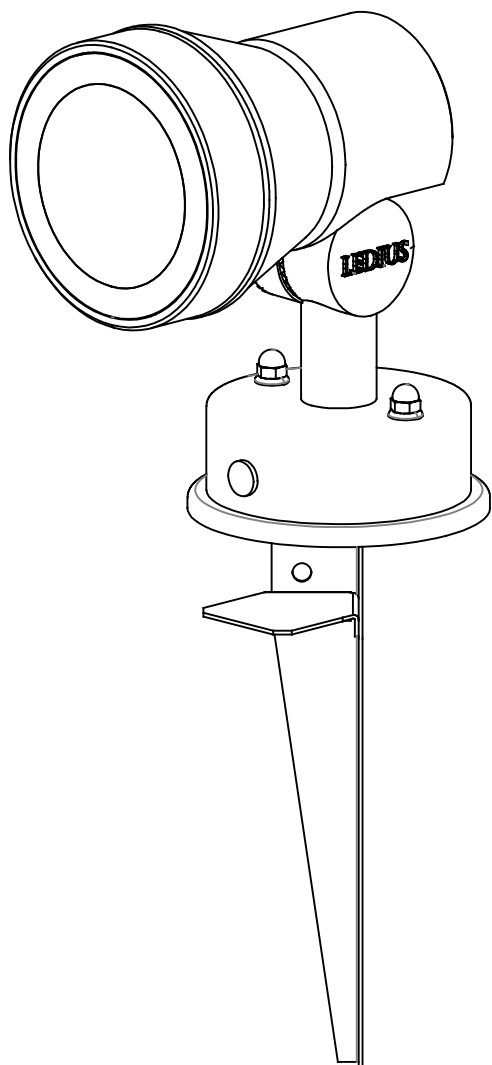
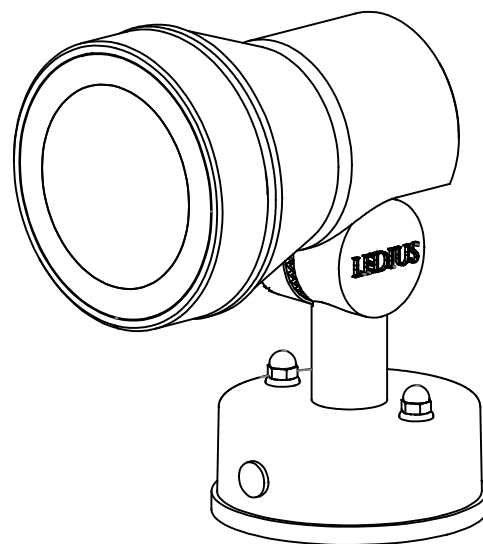


[スパイク組付時]



[取付金具組付時]



HBB-D81S  
HBB-D82S